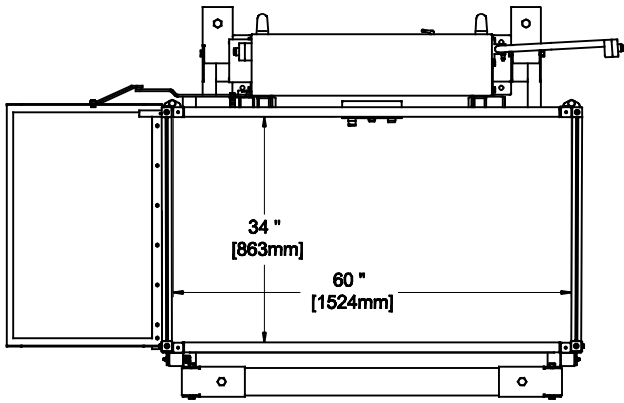
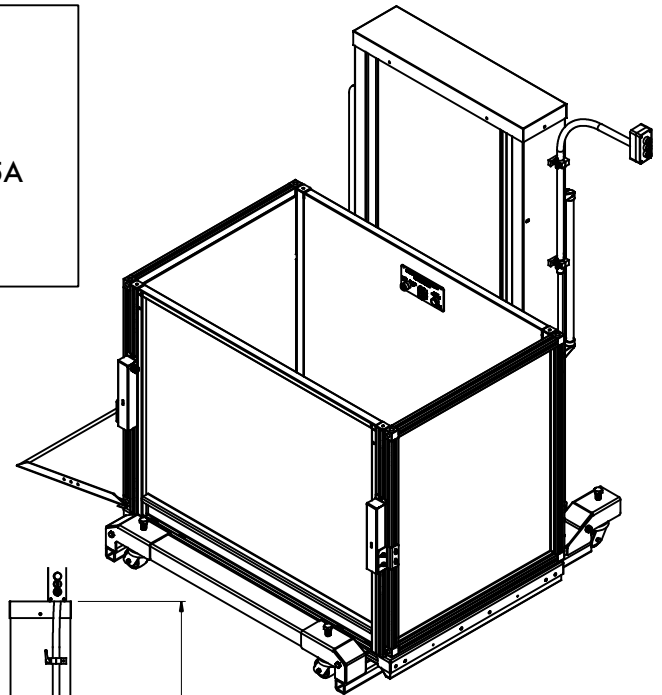


Capacity: 750lbs.
 Travel: 8" to 48" (variable)
 Motor: 1hp, 24 volts DC
 Battery operated
 Power requirement of the chargers: 120 volts AC, 15A

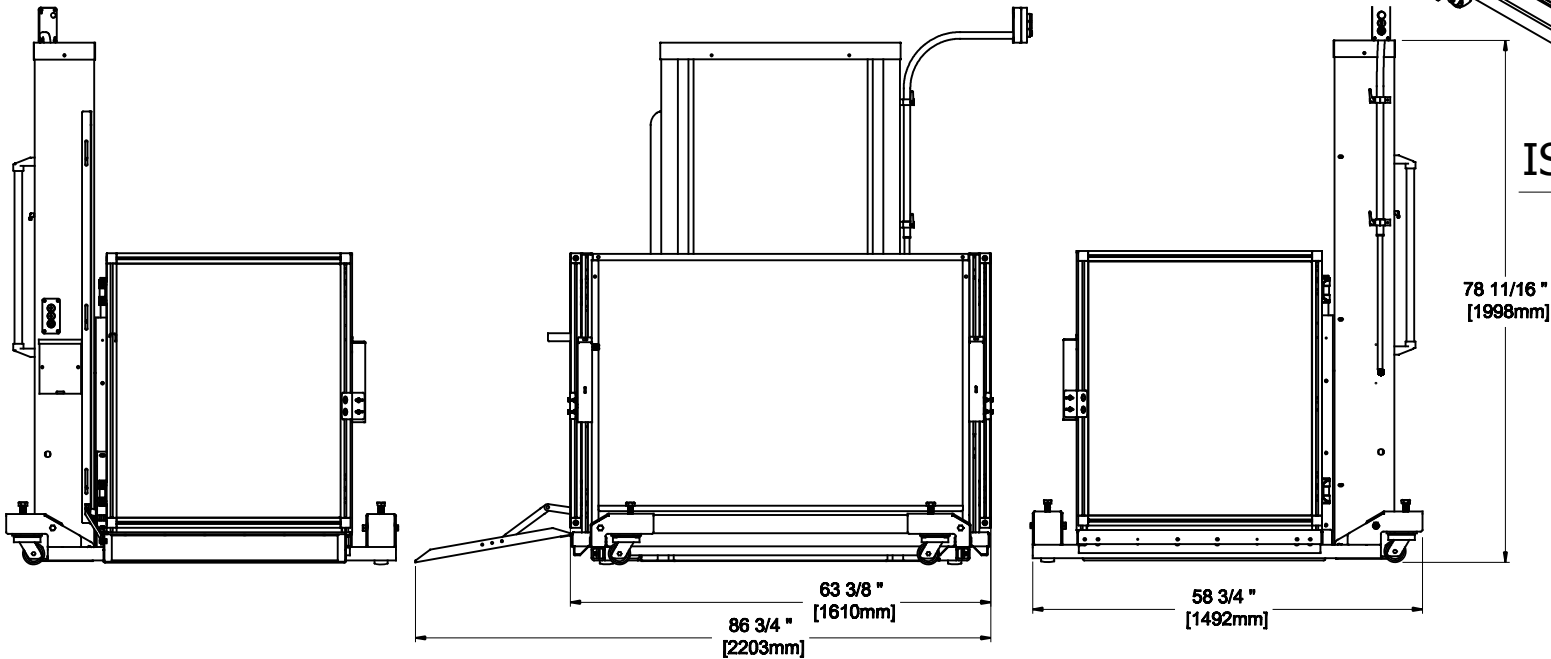
Specifications subject to change without notice.




TOP VIEW



ISOMETRIC VIEW



ELEVATION

		AmeriGlide, Inc. 5110 Atlantic Avenue Raleigh, NC 27616 www.ameriglide.com	
		GENERAL INFORMATION	
<small>NO. DRAWING</small> Hercules DC Portable	<small>DATE</small> 03/09/2015	<small>REVISION</small>	
<small>DRAFTER</small> M. DEBUSSCHERE	<small>NO. SHEET</small> 1/1		